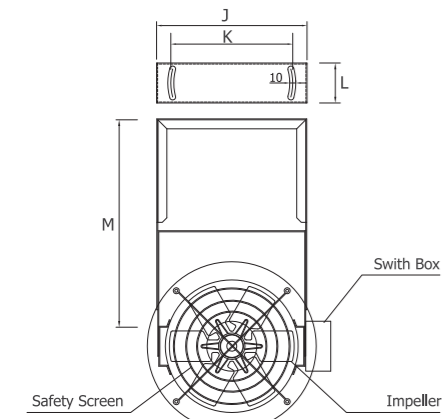
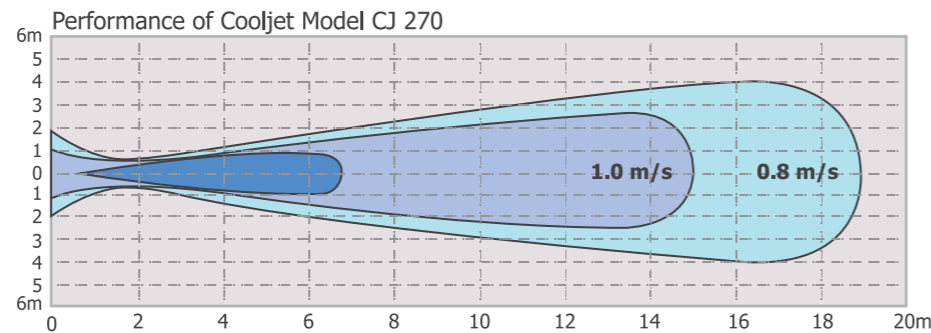
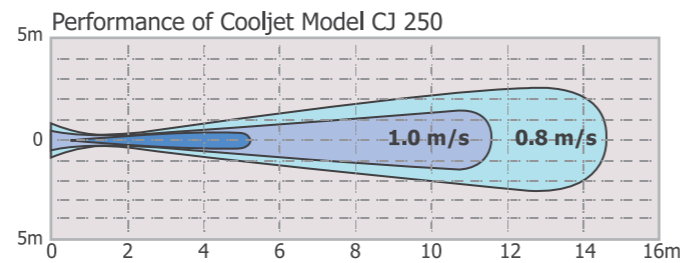
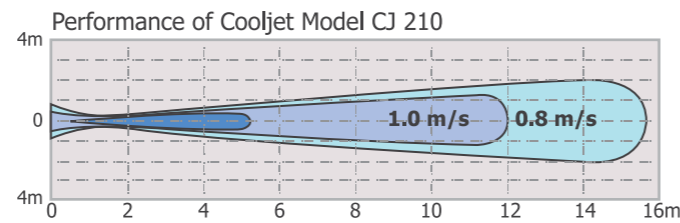
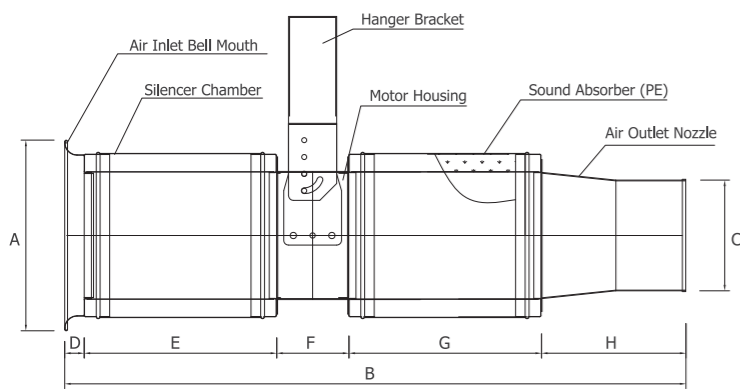


Cooljet Specifications

Model	Nominal Airflow	Velocity@nozzle	Noise Level @3m	Motor Power	Power Supply	Total Airflow	
						ER : 10	ER : 15
CJ 210	1500 CMH	17 m/s	64 dB (A)	170 W	1ø 220 V 50 Hz	15,000 CMH	22,500 CMH
CJ 250	2500 CMH	16 m/s	65 dB (A)	190 W	1ø 220 V 50 Hz	25,000 CMH	37,500 CMH
CJ 270	3500 CMH	20 m/s	60 dB (A)	308 W	1ø 220 V 50 Hz	35,000 CMH	52,500 CMH

ER : Entrainment Ratio

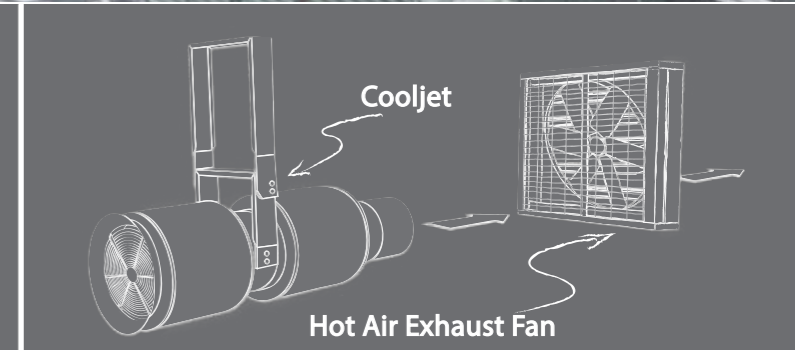
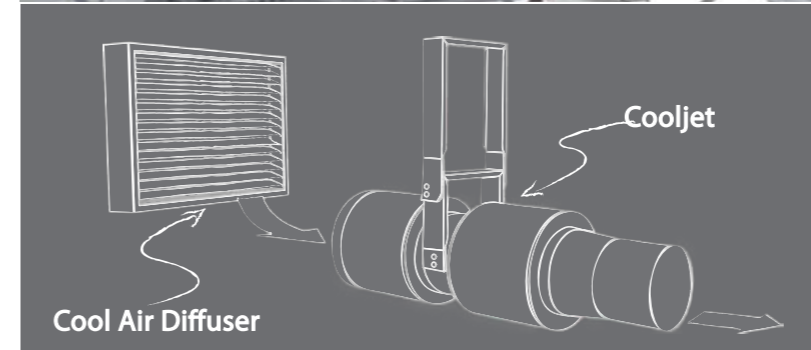


Dimensions & Weights

Model	A	B	C	D	E	F	G	H	J	K	L	M	Kg
CJ 210	270	980	190	50	230	160	230	310	187	114	67	455	16
CJ 250	320	1,120	250	30	310	160	310	310	258	185	67	455	20
CJ 270	360	1,270	260	40	360	160	360	350	301	244	67	455	25

# COOLJET

*Maximizing Space Cooling Performance*



Distributing Cool Air

Collecting & Sending Out Exhaust Air

[www.waterlinecooling.com](http://www.waterlinecooling.com)

Thailand  
THAI WATERLINE SYSTEMS CO.,LTD.  
Tel: (662) 322 1208  
Fax: (662) 322 1209  
Email: [info@thaiwaterline.com](mailto:info@thaiwaterline.com)

Indonesia  
PT WATERLINE  
Tel: (021) 2908 3778  
Mobile: (081) 5903 5205  
Email: [sales@waterlinecooling.com](mailto:sales@waterlinecooling.com)

Vietnam  
WATERLINE VIETNAM CO., LTD.  
HCMC: Tel: (848) 5435 6690, Fax: (848) 5435 6647  
HANOI: Mobile: (090) 2008 398, Fax: (844) 3783 3763  
Email: [info@waterlinevietnam.com](mailto:info@waterlinevietnam.com)

